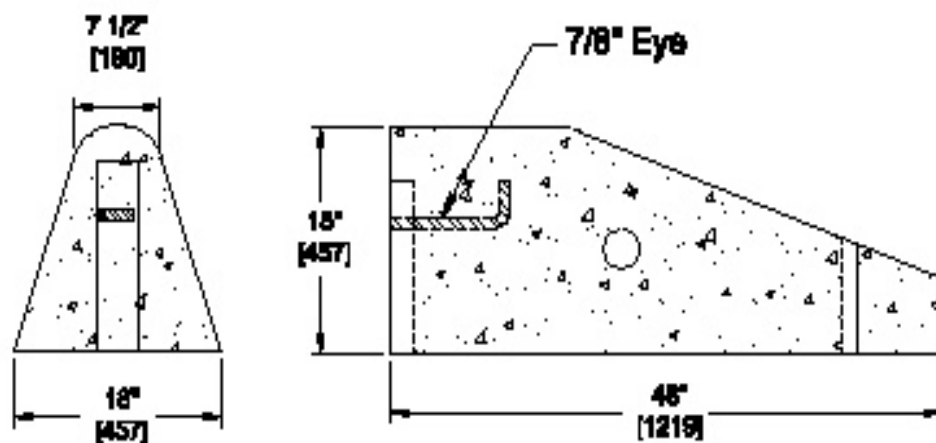


Installation Information

1 - 7/8" Eye

Weight: 650 lbs / 295 kg



**Korpack Cement  
Products Co Ltd.**  
Since 1947

**154 Wellington Ave.  
Trail, BC V1R 2K2**  
(250) 368-8266

**460 No Post Bullnose  
Female**

**Part Number**

**NP-Type J-BnEy-50**