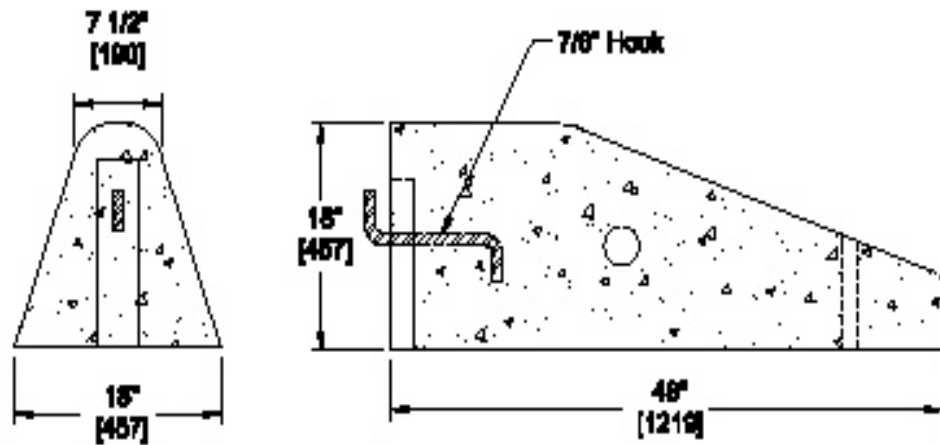


Installation Information

1 - 7/8" Hook

Weight: 650 lbs / 295 kg



<b>Korpack Cement Products Co Ltd.</b> Since 1947	<b>154 Wellington Ave.</b> <b>Trail, BC V1R 2K2</b> <b>(250) 368-8266</b>	<b>460 No Post Bullnose Male</b>	<b>Part Number</b>
			<b>NP-Type J-BnHk-SO</b>