



Korpack Cement Products Co. Ltd  
 154 Wellington Avenue  
 Trail, B.C. V1R 2K2

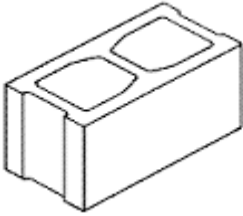
Phone: 250-368-8266  
 Fax: 250-368-9124  
 email: info@korpack.ca

**LOCAL CALLS**  
**TOLL FREE CALLS**

**1 - 250 - 368 - 8266**  
**1 - 877 - 568 - 8266**

**SMOOTH 20 CM / 8 INCH**

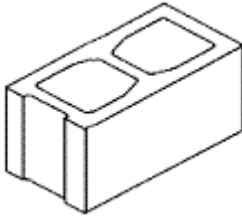
**STANDARD**



20 CM  
8 INCH

**IMPERIAL 8x8x16 Standard**  
 Dimensions 7-5/8" x 7-5/8" x 15-5/8"  
**METRIC 20 cm Standard**  
 Dimensions 190mm x 190mm x 390mm

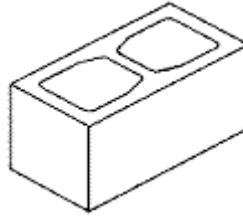
**SINGLE END**



20 CM  
8 INCH

**IMPERIAL 8x8x16 Standard**  
 Dimensions 7-5/8" x 7-5/8" x 15-5/8"  
**METRIC 20 cm Standard**  
 Dimensions 190mm x 190mm x 390mm

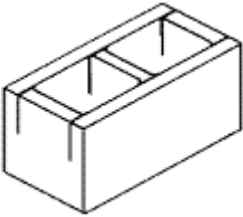
**DOUBLE END**



20 CM  
8 INCH

**IMPERIAL 8x8x16 Standard**  
 Sizing 7-5/8" x 7-5/8" x 15-5/8"  
**METRIC 20 cm Standard**  
 Sizing 190mm x 190mm x 390mm

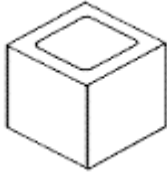
**K.O.BOND BEAM**



20 CM  
8 INCH

**IMPERIAL 8x8x16 Standard**  
 Dimensions 7-5/8" x 7-5/8" x 15-5/8"  
**METRIC 20 cm Standard**  
 Dimensions 190mm x 190mm x 390mm

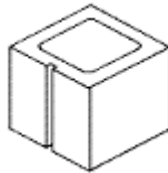
**HALF**



20 CM  
8 INCH

**IMPERIAL 8x8x16 Standard**  
 Dimensions 7-5/8" x 7-5/8" x 15-5/8"  
**METRIC 20 cm Standard**  
 Dimensions 190mm x 190mm x 390mm

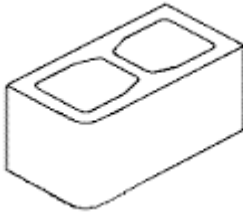
**CONTROL HALF**



20 CM  
8 INCH

**IMPERIAL 8x8x16 Standard**  
 Sizing 7-5/8" x 7-5/8" x 15-5/8"  
**METRIC 20 cm Standard**  
 Sizing 190mm x 190mm x 390mm

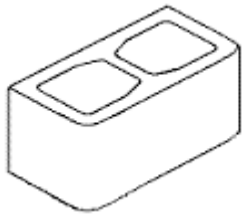
**SINGLE BULLNOSE**



20 CM  
8 INCH

**IMPERIAL 8x8x16 Standard**  
 Dimensions 7-5/8" x 7-5/8" x 15-5/8"  
**METRIC 20 cm Standard**  
 Dimensions 190mm x 190mm x 390mm

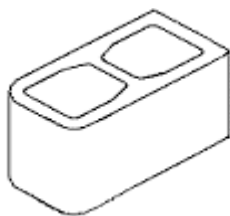
**DOUBLE BULLNOSE**



20 CM  
8 INCH

**IMPERIAL 8x8x16 Standard**  
 Dimensions 7-5/8" x 7-5/8" x 15-5/8"  
**METRIC 20 cm Standard**  
 Dimensions 190mm x 190mm x 390mm

**DOUBLE END BULL NOSE**



20 CM  
8 INCH

**IMPERIAL 8x8x16 Standard**  
 Sizing 7-5/8" x 7-5/8" x 15-5/8"  
**METRIC 20 cm Standard**  
 Sizing 190mm x 190mm x 390mm