



Korpack Cement Products Co. Ltd
 154 Wellington Avenue
 Trail, B.C. V1R 2K2

Phone: 250-368-8266
 Fax: 250-368-9124
 email: info@korpack.ca

LOCAL CALLS
TOLL FREE CALLS

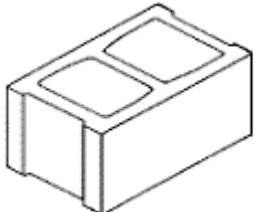
1 - 250 - 368 - 8266
1 - 877 - 568 - 8266

25 CM/10 INCH

30 CM/12 INCH

SMOOTH

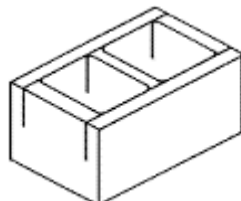
STANDARD



25 CM
10 INCH

IMPERIAL 10x8x16 Standard
 Dimensions 9-5/8" x 7-5/8" x 15-5/8"
METRIC 25 cm Standard
 Dimensions 240mm x 190mm x 390mm

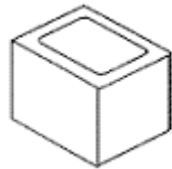
K.O.BOND BEAM



25 CM
10 INCH

IMPERIAL 10x8x16 Standard
 Dimensions 9-5/8" x 7-5/8" x 15-5/8"
METRIC 25 cm Standard
 Dimensions 240mm x 190mm x 390mm

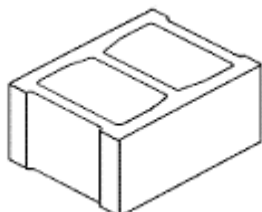
HALF



25 CM
8 INCH

IMPERIAL 10x8x16 Standard
 Dimensions 9-5/8" x 7-5/8" x 15-5/8"
METRIC 25 cm Standard
 Dimensions 240mm x 190mm x 390mm

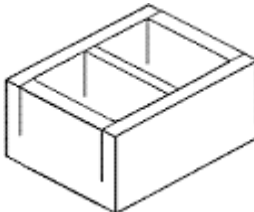
STANDARD



30 CM
12 INCH

IMPERIAL 12x8x16 Standard
 Dimensions 11-5/8" x 7-5/8" x 15-5/8"
METRIC 30 cm Standard
 Dimensions 290mm x 190mm x 390mm

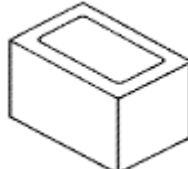
K.O.BOND BEAM



30 CM
8 INCH

IMPERIAL 12x8x16 Standard
 Dimensions 11-5/8" x 7-5/8" x 15-5/8"
METRIC 30 cm Standard
 Dimensions 290mm x 190mm x 390mm

HALF



30 CM
8 INCH

IMPERIAL 8x8x16 Standard
 Sizing 7-5/8" x 7-5/8" x 15-5/8"
METRIC 20 cm Standard
 Sizing 190mm x 190mm x 390mm