



Korpack Cement Products Co. Ltd
 154 Wellington Avenue
 Trail, B.C. V1R 2K2

Phone: 250-368-8266
 Fax: 250-368-9124
 email: info@korpack.ca

LOCAL CALLS
TOLL FREE CALLS

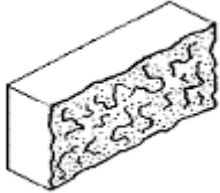
1 - 250 - 368 - 8266
1 - 877 - 568 - 8266

SPLIT FACE

10 CM / 4 INCH

20 CM / 8 INCH

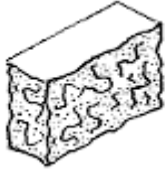
STANDARD SPLIT



10 CM
4 INCH

METRIC 10 cm Standard Split
 Dimensions 90mm x 190mm x 390mm
IMPERIAL 4x8x16 Standard Split
 Dimensions 3-5/8" x 7-5/8" x 15-5/8"

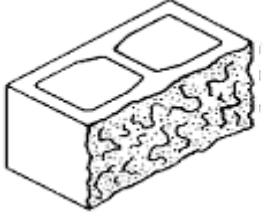
CORNER SPLIT



10 CM
4 INCH

METRIC 10 cm Corner Split
 Dimensions 90mm x 190mm x 290mm
IMPERIAL 4x8x16 Corner Split
 Dimensions 3-5/8" x 7-5/8" x 11-5/8"

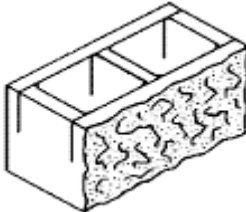
STANDARD SPLIT



20 CM
8 INCH

IMPERIAL 8x8x16 Standard Split
 Sizing 7-5/8" x 7-5/8" x 15-5/8"
METRIC 20 cm Standard Split
 Sizing 190mm x 190mm x 390mm

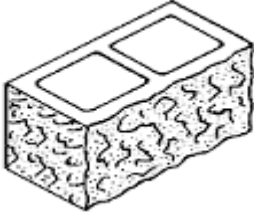
K.O.BOND BEAM SPLIT



20 CM
8 INCH

METRIC 20 cm KOB B Split
 Dimensions 190mm x 190mm x 390mm
IMPERIAL 8x8x16 KOB B Split
 Dimensions 7-5/8" x 7-5/8" x 15-5/8"

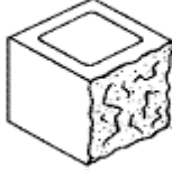
CORNER SPLIT



20 CM
8 INCH

METRIC 20 cm Corner Split
 Dimensions 190mm x 190mm x 390mm
IMPERIAL 8x8x16 Corner Split
 Dimensions 7-5/8" x 7-5/8" x 15-5/8"

HALF SPLIT



20 CM
8 INCH

METRIC 20 cm Half Split
 Dimensions 190mm x 190mm x 390mm
IMPERIAL 8x8x16 Half Split
 Dimensions 7-5/8" x 7-5/8" x 15-5/8"